







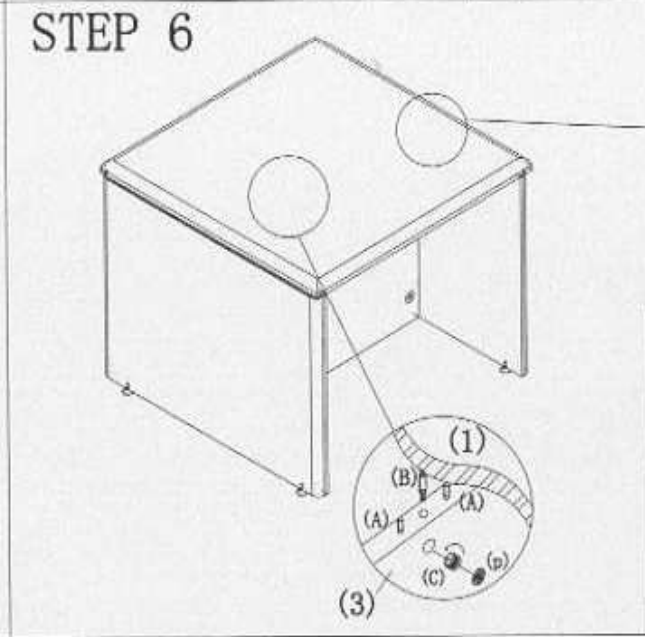
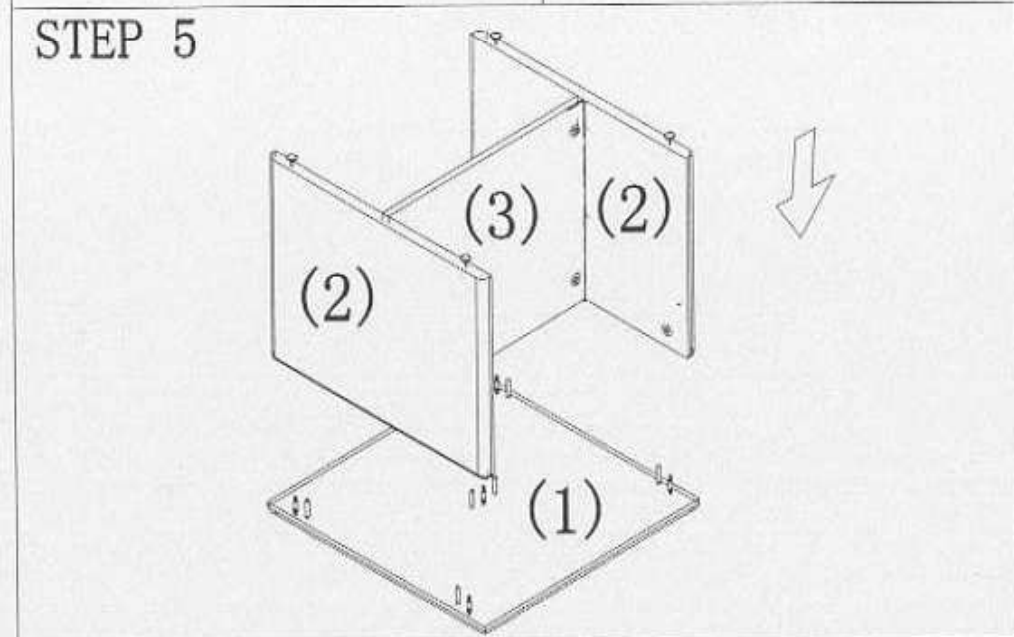
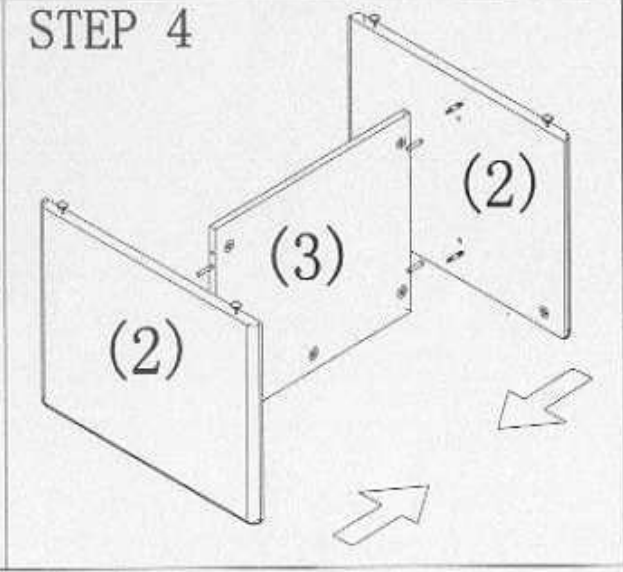
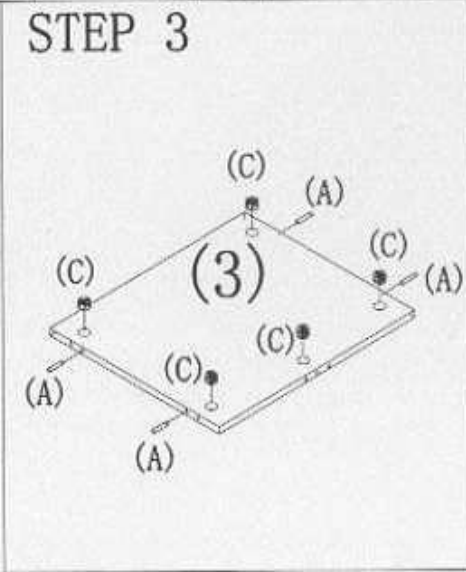
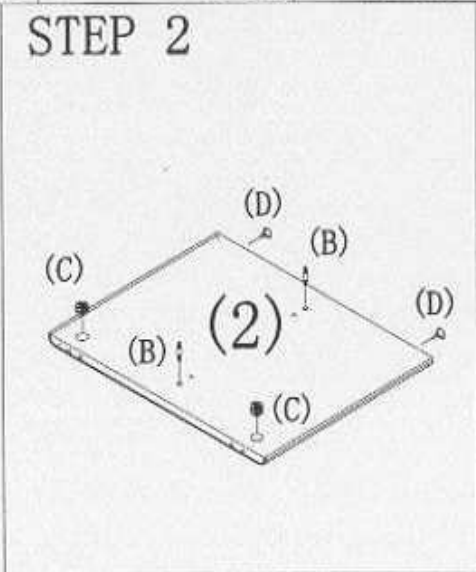
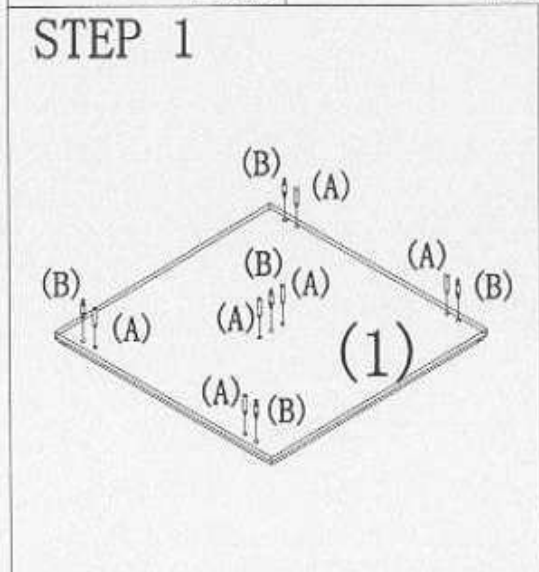



(1) Top  1PCS	(2) End Panel  2PCS	(3) Modesty Panel  1PCS	(A) Dowel  10PCS+1	(B) Cam Pin  9PCS+1	(C) Cam Lock  9PCS+1	(D) Leg Leveller  4PCS	(p) Cam Cover  9PCS+1
-----------------------------------------------------------------------------------------------------	------------------------------------------------------------------------------------------------------------	----------------------------------------------------------------------------------------------------------------	-----------------------------------------------------------------------------------------------------------	--------------------------------------------------------------------------------------------------------------	---------------------------------------------------------------------------------------------------------------	-----------------------------------------------------------------------------------------------------------------	----------------------------------------------------------------------------------------------------------------



(1) (2) (3) (A) (B) (C) (p) (D)

NAME: END TABLE, 24*24
 TYPE: SON-20
 SPECIFICATION: 24"W*24"D*20"H



877-OSP-WORX (877-677-9679)
 Always lay components on clean, soft cushioned surface only.