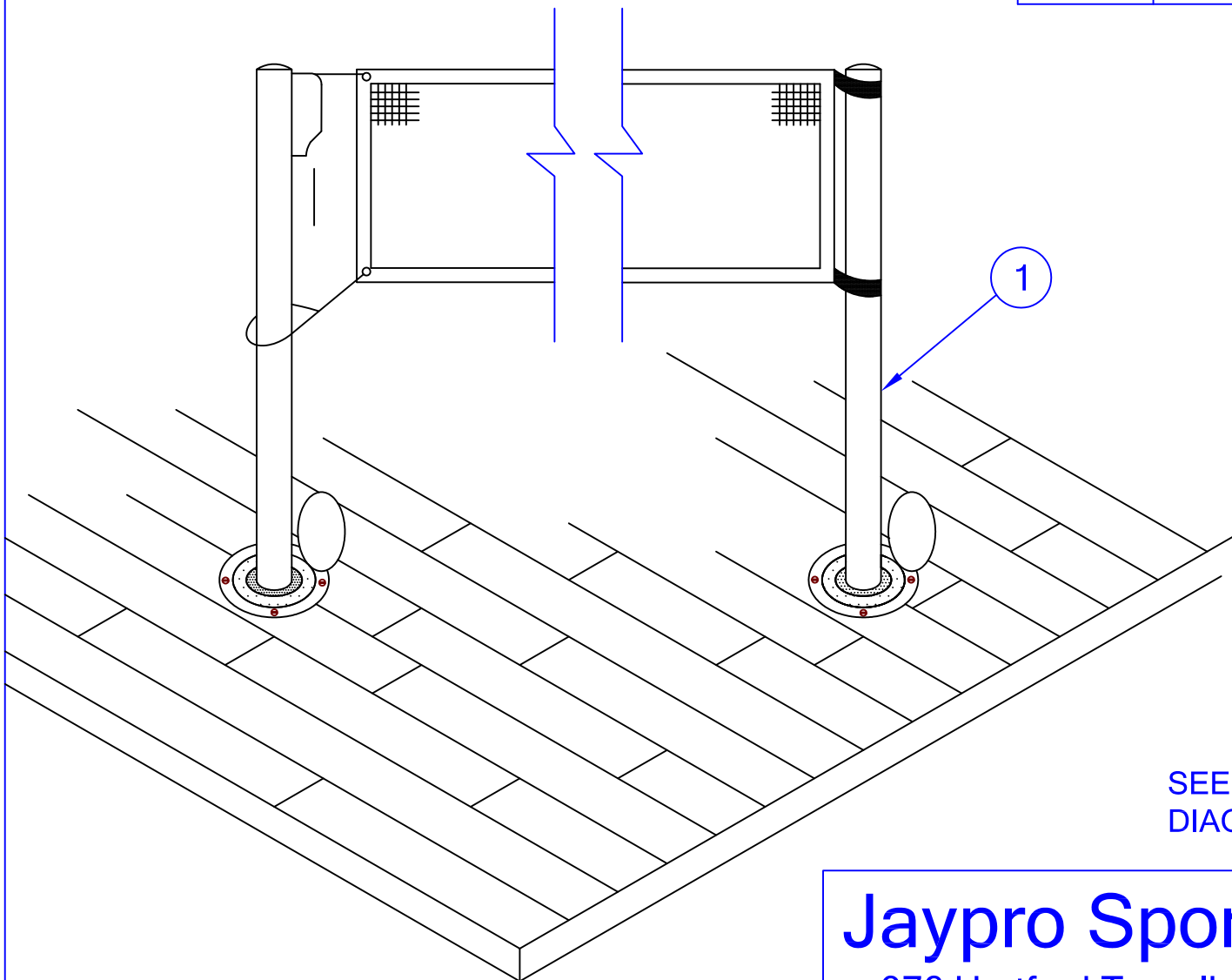


NET AND FLOOR SLEEVES NOT INCLUDED
SHOWN FOR ILLUSTRATED PURPOSES ONLY

LIST OF MATERIALS			
BADMINTON STANDARD BSO-2			
PIECE NO	PART NO	DESCRIPTION	QTY
1	BSO-2U-1	STANDARD ASSEMBLY	2



SEE 'FLOOR SLEEVE' INSTALLATION
DIAGRAM FOR SLEEVE DETAILS.

Jaypro Sports

976 Hartford Turnpike
Waterford, CT 06385 USA
(800)243-0533
(800)988-3363 Fax
www.jaypro.com

MODEL NO.:
BSO-2

PRODUCT NAME:
BADMINTON STANDARD

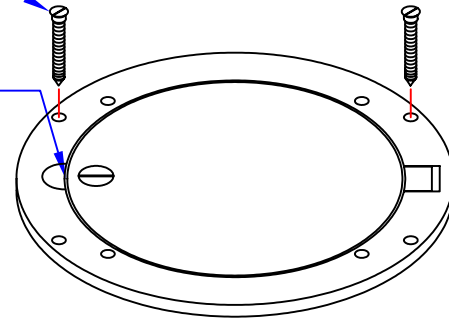
DRAWN BY: JAC

EFFECTIVE DATE:
6-17-14

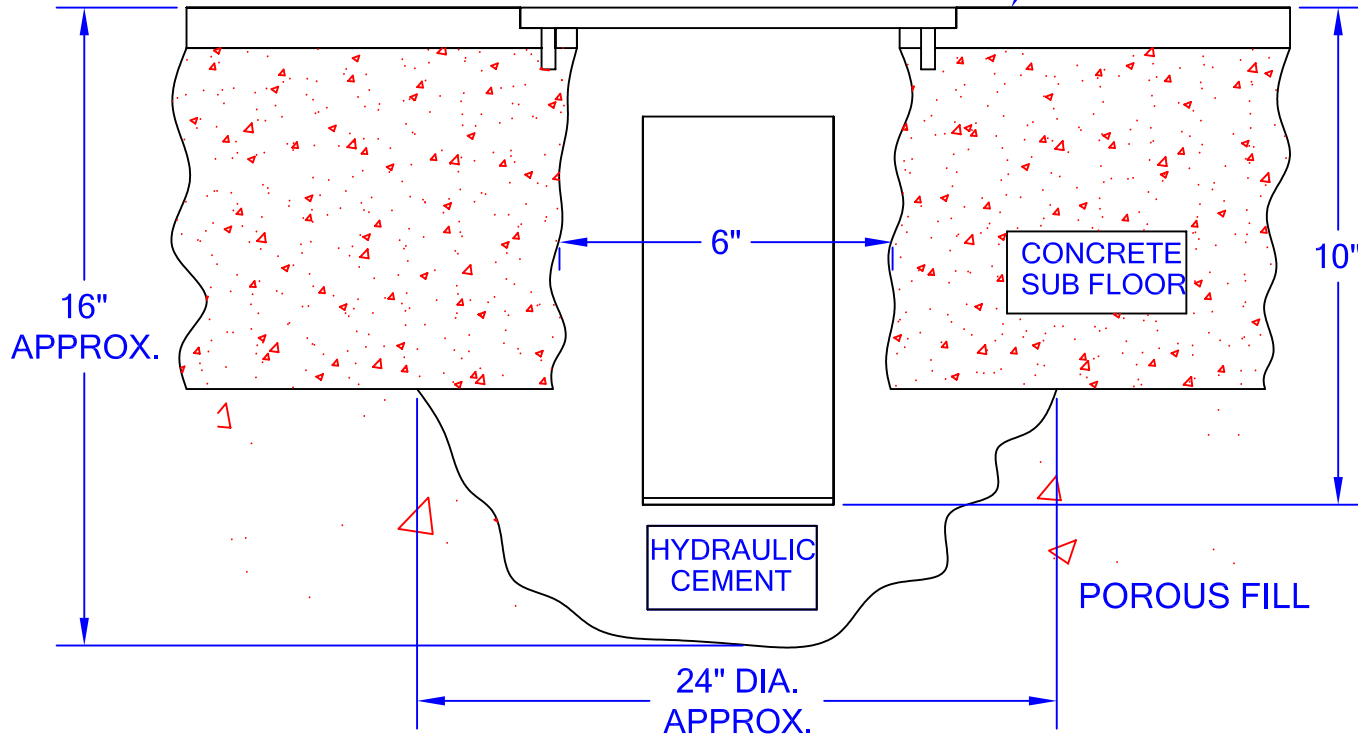
#10 x 1 1/4" FLAT HEAD BRASS WOOD SCREW

COVER PLATE LIFTS UP OUT OF THE WAY TO PREVENT MISPLACEMENT

BRASS COVER PLATE ASSEMBLY (PVB75C)



FINISHED SYNTHETIC FLOORING



TYPICAL INSTALLATION IN A SYNTHETIC FLOOR

Jaypro Sports

976 Hartford Turnpike
Waterford, CT 06385 USA
(800)243-0533
(800)988-3363 Fax
www.jaypro.com

MODEL NO.:

BSO-2

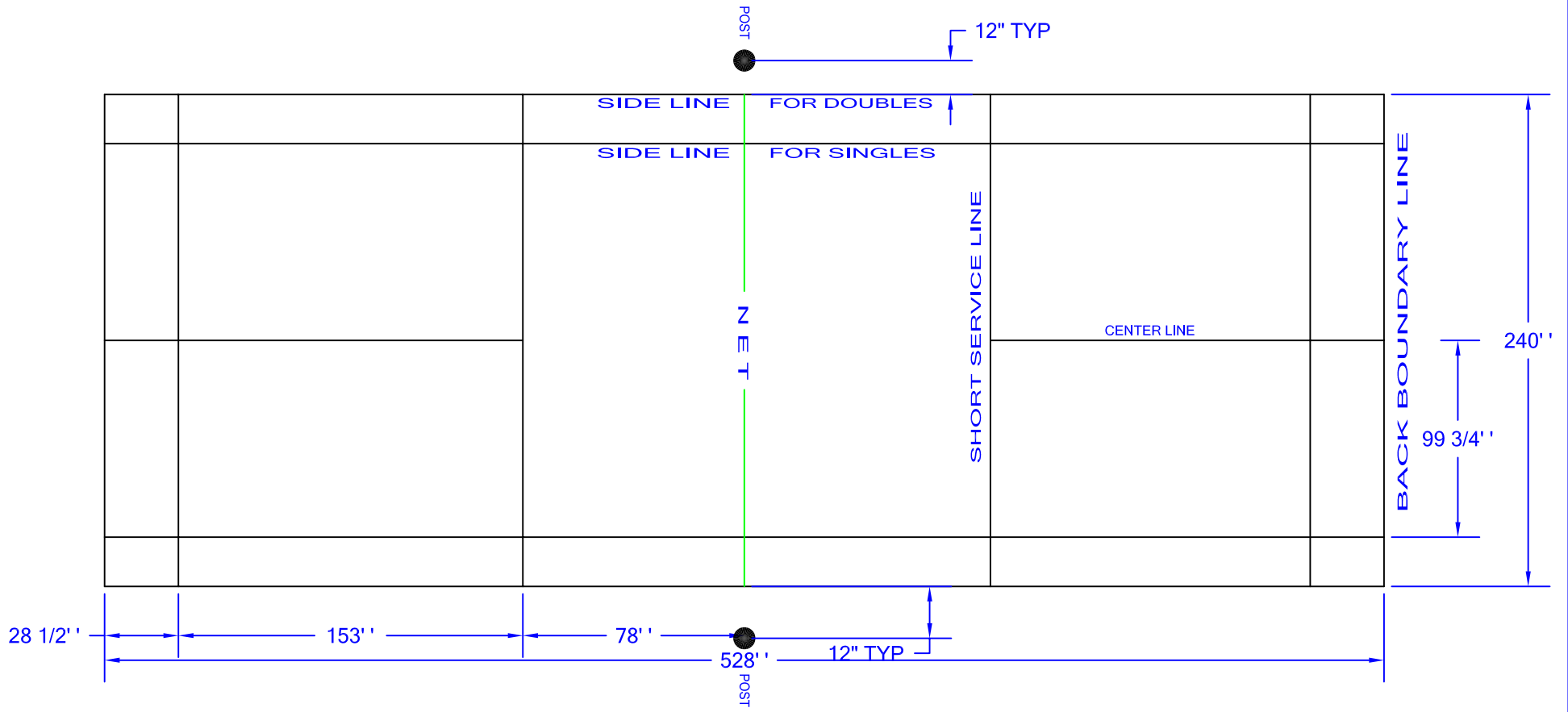
PRODUCT NAME:

FLOOR SLEEVE FOR SYNTHETIC,
WOOD, OR TILE FLOOR

DRAWN BY: JA

EFFECTIVE DATE:

11-1-04



COURT SIZE SPECIFICATIONS PER THE
 UNITED STATES BADMINTON ASSOCIATION
 (U.S.B.A.) ARE 20'W x 44'L.

<h2>Jaypro Sports</h2> <p>976 Hartford Turnpike Waterford, CT 06385 USA (800)243-0533 (800)988-3363 Fax www.jaypro.com</p>	MODEL NO.: <h1>BSO-2</h1>	
	PRODUCT NAME: BADMINTON COURT LAYOUT	
	DRAWN BY: JAC	EFFECTIVE DATE: 4-3-03