

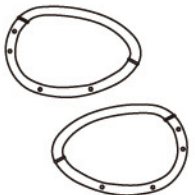
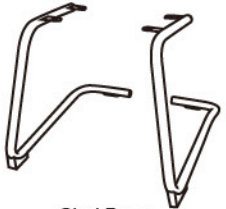





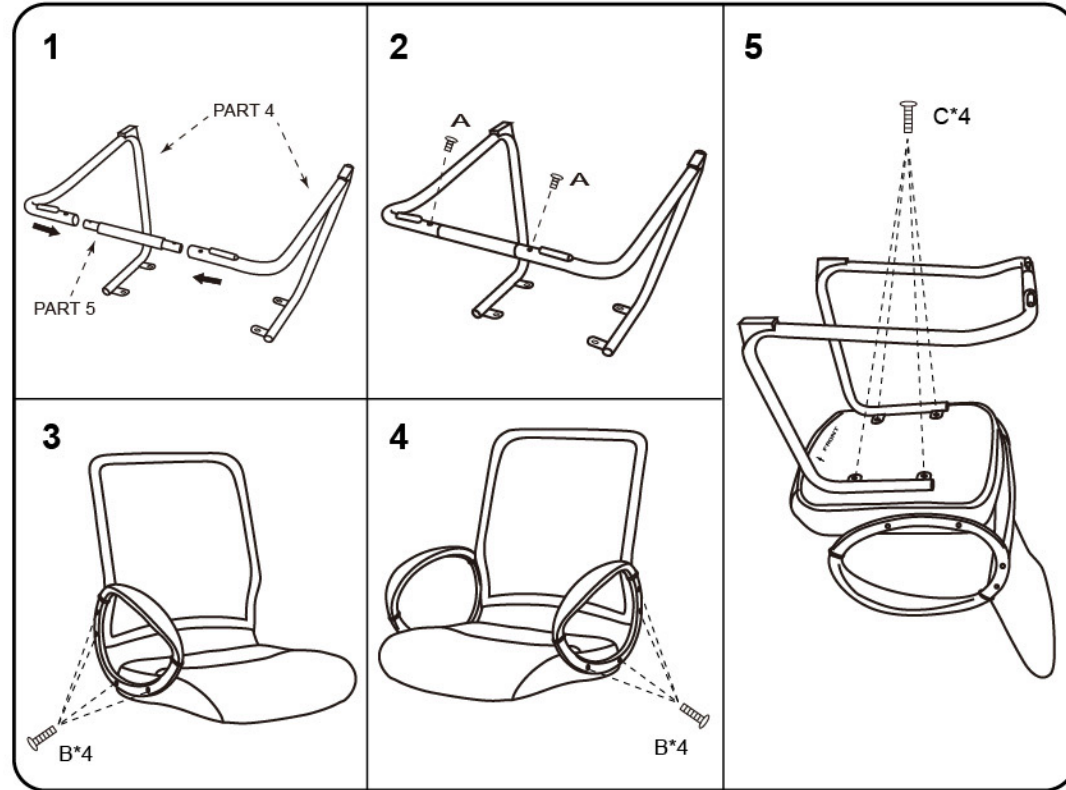


**IMPORTANT NOTICE:  
HARDWARE PACKAGE IS ATTACHED  
ON THE BOTTOM OF SEAT CUSHION.**

MODEL : 6409

(1)x1  Back Cushion	(2)x1  Seat Cushion	(3)x1 (L)x1 (R)  Left & Right-Arm
(4)x1  Sled Base	(5)x1  Connecting Bar	(6)x1
(A)x2  M6 X 16 <b>CONNECTING BAR SCREW</b> (Please find these 2 screws on sled base.)	(B)x8  M6 X 30 <b>ARM SCREW</b>	(C)x4  M6 X 22 <b>SLED BASE / SEAT SCREW</b>
(D)x1  ALLEN KEY		



**Insert and loosely tighten all screws. When assembly is completed, fully tighten all screws before using. This chair is only intended for sitting. Any other use will void the warranty.**

