

# Moon Chair

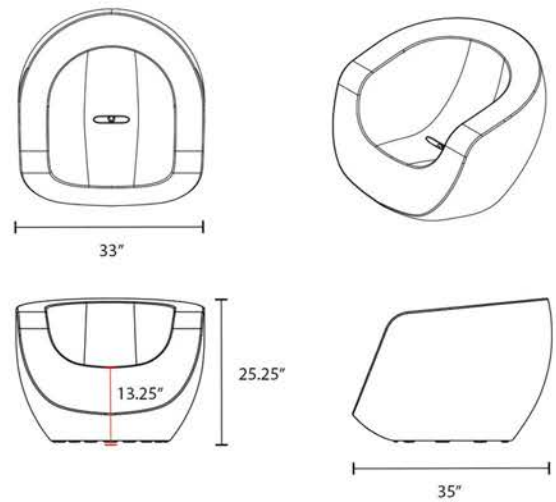
Designed by: Mike To, Hong Kong | Session - Recovered Coastal Plastic



## #22102BX\_ \_: Moon Chair

35" Length - 33" Width - 13.25" Seat Height, 32 lbs

Tenjam has made a giant leap forward in recycled materials and proven that Recovered Coastal Plastic (RCP) can be economically recovered, recycled, and turned into high performance products. RCP is plastic debris recovered from shorelines, waterways, and coastal communities where it's intercepted before entering the ocean. All Tenjam Session Series products include a varying percentage of RCP material in their construction. This is a hard plastic product suitable for indoor and outdoor environments. 100% recyclable. Certified for healthy indoor air quality.



## Session Series Standard Colors

			
<b>Yellow</b> Color Code: <b>YE</b>	<b>Orange</b> Color Code: <b>OR</b>	<b>Red</b> Color Code: <b>RD</b>	<b>Violet</b> Color Code: <b>VI</b>
			
<b>Pure Green</b> Color Code: <b>PG</b>	<b>Lime Green</b> Color Code: <b>LM</b>	<b>Anthracite Gray</b> Color Code: <b>AG</b>	<b>Medium Gray</b> Color Code: <b>MG</b>
			
<b>Light Blue</b> Color Code: <b>LB</b>	<b>Surf Blue</b> Color Code: <b>SB</b>	<b>Medium Blue</b> Color Code: <b>MB</b>	<b>Dark Blue</b> Color Code: <b>DB</b>
			
<b>Cobblestone</b> Color Code: <b>CS</b>	<b>Gray Granite</b> Color Code: <b>GG</b>	<b>River Rock</b> Color Code: <b>RR</b>	

