

 **COMFORTABLE**

 **LIGHTWEIGHT**

 **MODERN**



8700 Series | VINYL SEAT

8800 Series | POLY SEAT



3 HEIGHTS AVAILABLE

- DINING HEIGHT** 
- COUNTER HEIGHT** 
- BAR HEIGHT** 

CAFETORIUM MODEL OPTIONS

8700 Series **VINYL** Seat



Welded Crossbar for Extra Reinforcement



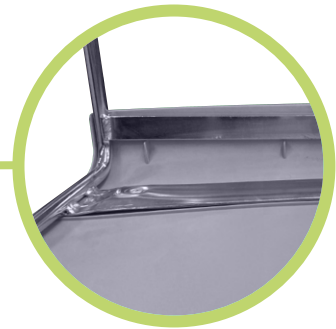
Seating in Comfortable, Plush Vinyl



CAL-117
RATED



Seating in Comfortable, Durable Poly



Concealed Welded Crossplate for Extra Reinforcement

8800 Series **POLY** Seat

8700 Series | Stack Chairs

PADDED CAFETORIUM CHAIRS & STOOLS

Ergonomically designed to provide maximum comfort, easy to clean offering a practical seating solution for any environment.



8700 Dining Chair
18" SEAT HEIGHT

8700C Counter Stool
24" SEAT HEIGHT



8700B Bar Stool
30" SEAT HEIGHT



Standard Colors



Custom Color Options Available!



Blue Back and Seat Black Frame
8704-10-04

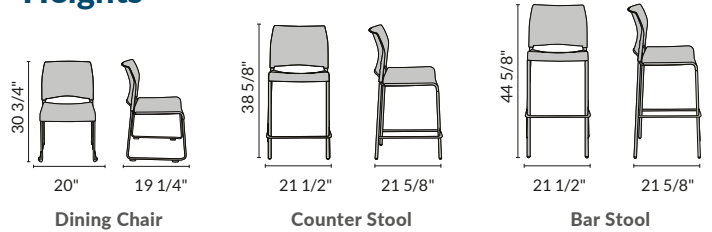


Black Back and Seat Chrome Frame
Dining Height: 8710-11-10
Counter Height: 8710C-11-10
Bar Height: 8710B-11-10

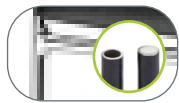


Grey Back and Blue Seat Silver Frame
8742-12-02

Heights



Features



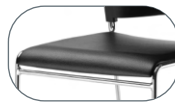
"Rod In Tube" Design



Glides Function as Built-In Gangers for Multi Chair Setup



Polypropylene Plastic Back Design Provides Ergonomic Support



Comfortable Upholstered Plush Vinyl Seat



Glides Are Made of TPU For Sensitive Floors



Plastic Stacking Bumpers on Stool Options



Welded Footrest on Stool Options



7/8" Leg Tubing on Stool Options



DY-87
for Dining Height

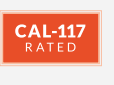


stacks **35** CHAIRS

DY-87B
for Counter and Bar Height







stacks **24** STOOLS



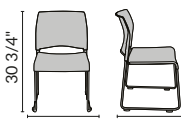
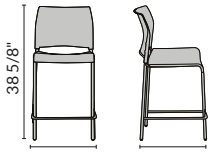
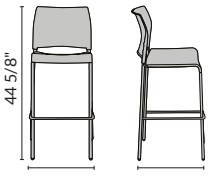
Ergonomically designed to provide maximum comfort, easy to clean offering a practical seating solution for any environment









Standard Colors  *Custom Color Options Available!*

		
Blue Back and Seat Chrome Frame	Black Back and Seat Chrome Frame	Charcol Back and Seat Chrome Frame
Dining Height: 8804-11-10 Counter Height: 8804C-11-10 Bar Height: 8804B-11-10	Dining Height: 8810-11-10 Counter Height: 8810C-11-10 Bar Height: 8810B-11-10	Dining Height: 8820-11-10 Counter Height: 8820C-11-10 Bar Height: 8820B-11-10

Heights

		
30 3/4" 20" 19 1/4"	38 5/8" 21 1/2" 21 5/8"	44 5/8" 21 1/2" 21 5/8"
Dining Chair	Counter Stool	Bar Stool

Features

			
"Rod In Tube" Design	Glides Function as Built-In Gangers for Multi Chair Setup	Polypropylene Plastic Back and Seat Design Provides Ergonomic Support	Comfortable and Durable Poly Seat
			
Glides Are Made of TPU For Sensitive Floors	Plastic Stacking Bumpers on Stool Options	Welded Footrest on Stool Options	7/8" Leg Tubing on Stool Options

DY-87 for Dining Height  **35 CHAIRS**

DY-87B for Counter and Bar Height  **24 STOOLS**

Compatible with DOLLY 

WEIGHT CAPACITY  **500 lbs**
TESTED BY BUREAU VERITAS

10 Year Warranty 

BIFMA INTERNATIONAL ANSI 

100% CERTIFIED GREEN 

24 HOUR QUICK SHIP 

Custom Color Options

300 Chair MOQ and Extended Lead Times Apply

Frame Colors



White
01



Black
10



Chrome
11



Silver
12



Soft Grey
20

Poly



P01



P02



P04



P05



P06



P07



P09



P10



P11



P12



P13



P14



P15



P16



P17



P20



P22



P23



P24



P25



P26



P27

Vinyl



V03



V04



V05



V06



V07



V08



V10



V11



V12



V13



V42

Fabric



F01



F02



F03



F04



F05



F06



F07



F08



F09



F11



F12



F13



F14



F15



F16



F17



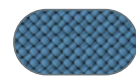
F18



F19



F20



F21



F22



F23



F24



F25



F26



F27



F28



8700/8800 Custom Configuration

Model Number

Frame Color

8700* **PXX-XX-PXX**

*Add B for Bar Height or C for Counter Height

Seat Color

Back Color/Vinyl/Fabric